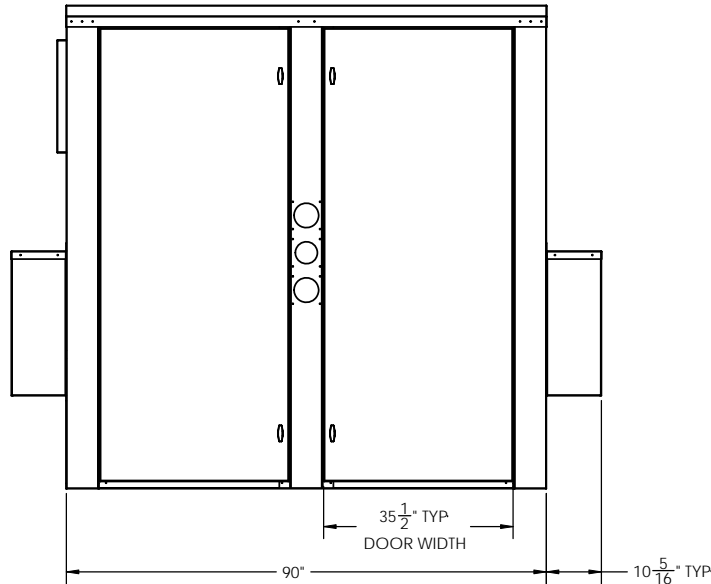
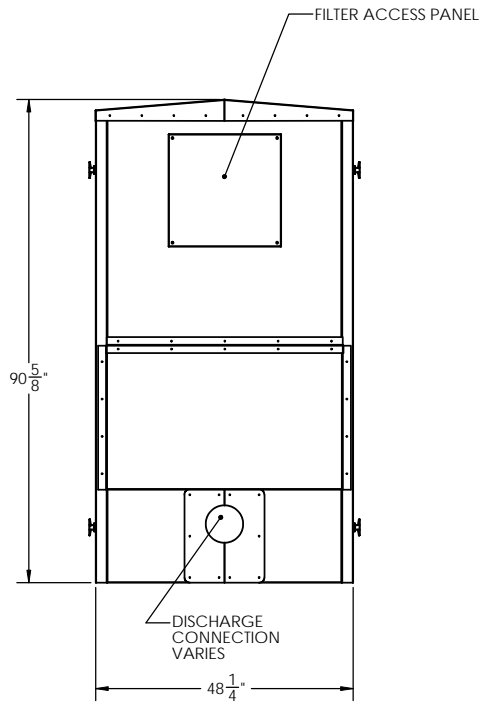
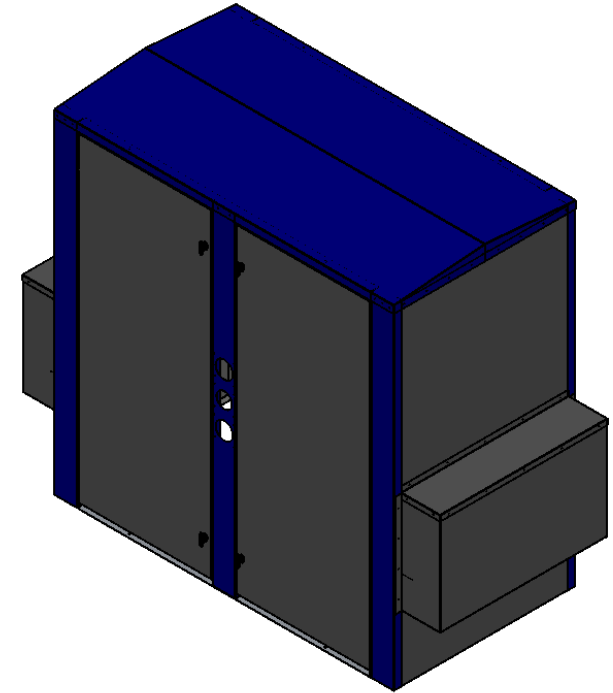
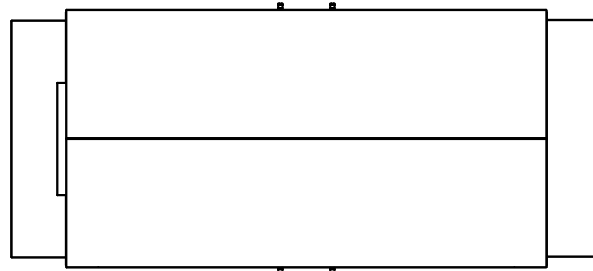


ENCLOSURE SPECIFICATIONS:


1. MATERIAL OF CONSTRUCTION: 16 GA POWDER COATED STEEL
2. QTY (4) HINGED DOORS (2 PER SIDE)
3. QTY (8) 1/2 TURN COMPRESSION LATCHES (2 PER DOOR)
4. QTY (1) EXHAUST FAN (1/60/120V, 4.3 AMPS) w/ THERMOSTAT
5. ENCLOSURE AND VENT BOXES LINED W/ 2" ACOUSTICAL FOAM

REVISIONS				
ZONE	REV.	DESCRIPTION	DATE	APPROVED
	A	DRAWING CREATED	1/10/14	AF



NOTE:

1. INSTALL AND OPERATE ACCORDING TO O&M MANUAL.
2. SOME ITEMS, USUALLY SILENCERS, MAY BE DISASSEMBLED FOR SHIPMENT. REASSEMBLY MAY BE REQUIRED.

UNLESS OTHERWISE SPECIFIED:		NAME	DATE	 UNIVERSAL BLOWER PAC, INC. 140 PARK ST WEST DRIVE NOBLESVILLE, IN 46060-9252 PHONE: 317-772-7258 WWW.UNIVERSALBLOWERPAC.COM
DIMENSIONS ARE IN INCHES	TOLERANCES:	DRAWN	AF	
FRACTIONAL TO	USER CONNECTIONS: #1	CHECKED		TITLE:
OTHER FRACTIONAL: #1	MOUNTING LOCATIONS: 1/4"	ENG APPR		Q-Pac Enclosure 8,6,6,6
ANGULAR MATCH: #1	BEND: #2			SIZE:
TWO PLACE DECIMAL: #2	THREE PLACE DECIMAL: #3			C
				DWG. NO.
				OP_ATT_6_Submittal
PROPRIETARY AND CONFIDENTIAL	STOCK SIZE			SCALE: 1:18
THE INFORMATION CONTAINED IN THIS DRAWING IS THE SOLE PROPERTY OF UNIVERSAL BLOWER PAC, INC. ANY REPRODUCTION IN PART OR AS A WHOLE WITHOUT THE WRITTEN PERMISSION OF UNIVERSAL BLOWER PAC, INC. IS PROHIBITED.	FRESH			SHEET 1 OF 1
	DO NOT SCALE DRAWING			