

HIGH EFFICIENCY SCREW BLOWER SYSTEM

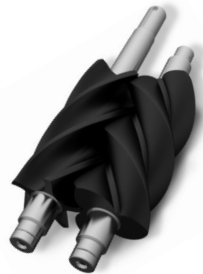
Universal Blower Pac's EE-PAC offers a low maintenance, advanced high efficiency screw blower system that delivers air efficiently across its entire operating range. *UBPs* patented design has proven more efficient than traditional PD blowers and achieves turbo blower efficiency over a 5:1 turndown. This robust system is able to withstand pressure and temperature fluctuations that turbo blowers can not, eliminating risk of surge and thus expensive repairs.



THREE EFFICIENT SCREW ROTOR PROFILE OPTIONS



3x3 w/ Axial Rotors



3x5 w/ Internal Compression



3x5 Variable Helix w/ Internal Compression

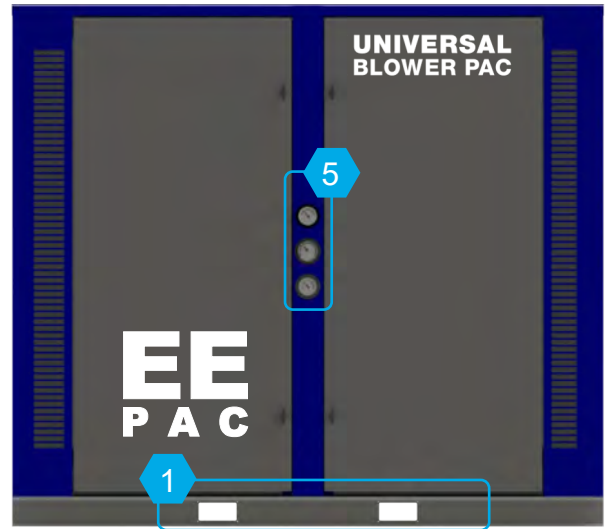
The advanced screw compressor technology is 100% oil free and is directly coupled to an induction motor for optimized efficiency. The updated design is modular and comes with a base configuration without an acoustical enclosure at a lower cost, but can easily be upgraded to include a partial or full enclosure with on board controls as desired. This unique combination of efficiency and flexibility can effectively manage wastewater aeration to pneumatic conveying or any variety of system application needs.

YOUR PAIN	OUR SOLUTION
>> High operating cost	>> SAVES ENERGY & MAINTENANCE COST <i>Oil free compressor, no v-belt drive maintenance and proven efficiency over traditional PD blowers</i>
>> Turbo blower generally provide 2:1 turndown before surging and have limited operating and pressure ranges	>> BETTER EFFICIENCY OVER ENTIRE OPERATING RANGE <i>Achieves 5:1 turndown</i>
>> Blower failures due to surge	>> DISPLACEMENT COMPRESSOR WON'T SURGE <i>Allows for operation of multiple units on a single header</i>
>> Expensive blower failures and downtime	>> REPAIRS DO NOT REQUIRE EE-PAC REPLACEMENT <i>Design has readily available American manufactured components for ease of maintenance, servicing or parts replacements</i>
>> Replacing old equipment requires room modifications	>> NARROW DESIGN FITS EXISTING PADS OF CURRENT SYSTEM <i>Engineered to replace the area of most multistage centrifugal blowers, thus minimizing typical room or pad modifications</i>

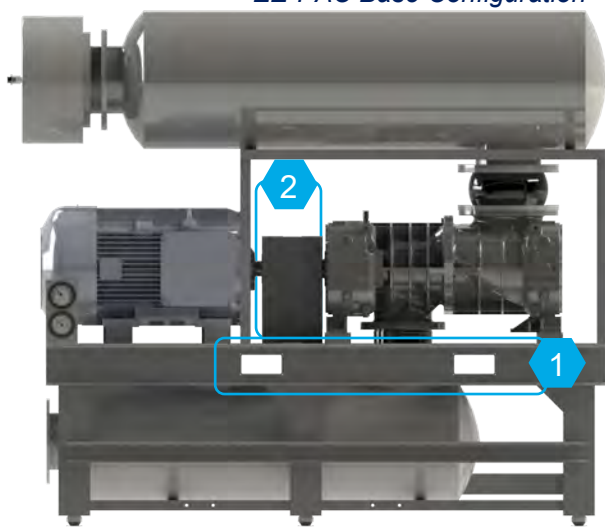
PROVEN RELIABILITY MORE FLEXIBILITY

1. >> **EE-PAC is modular featuring multiple configurations available for each size.** Forklift slots are provided for easy installation in any configuration.
2. >> **All EE-PAC designs feature direct drive coupling to provide a lossless power transmission to maximum efficiency.**
3. >> **Upgrade to either a partial acoustical enclosure or a full acoustical enclosure with internal sub-base.**
4. >> **All configurations suitable for outdoor installation with starting temperatures as low as -20° F.**
5. >> **Instrumentation configured to your requirements.**

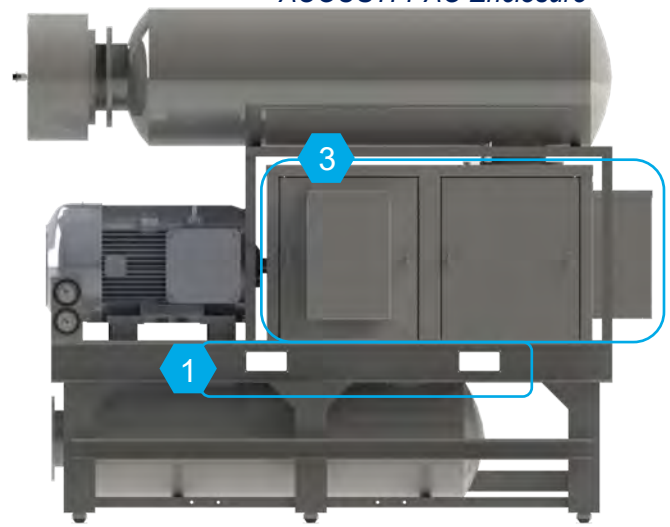
ATTENU-PAC Enclosure



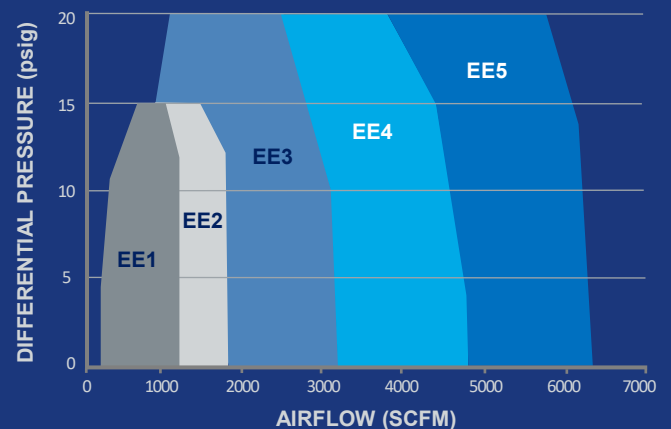
EE-PAC Base Configuration



ACOUSTI-PAC Enclosure



Standard units to fit
your requirements



EE-PAC ADVANTAGE

ADVANTAGE #1: THE UBP DIFFERENCE

Universal Blower Pac uses standardized, readily available, American manufactured parts on all systems and equipment. What does this mean for our clients?

- >> Lower repair and parts replacement costs. Units can be repaired without need for full replacement
- >> Systems can be locally serviced throughout the US with ease of interchangeability
- >> Less downtime. More Savings. Less headache

EASY INSTALLATION FOR INDOOR OR OUTDOOR USE

- >> Engineered with *UBP's* high quality noise enclosure with high density acoustic foam and removable panels for easy maintenance access
- >> Enclosure is powder coated aluminum and galvanized steel proven to withstand corrosive environments
- >> Modular designs feature a narrow footprint for easy side-by-side installation

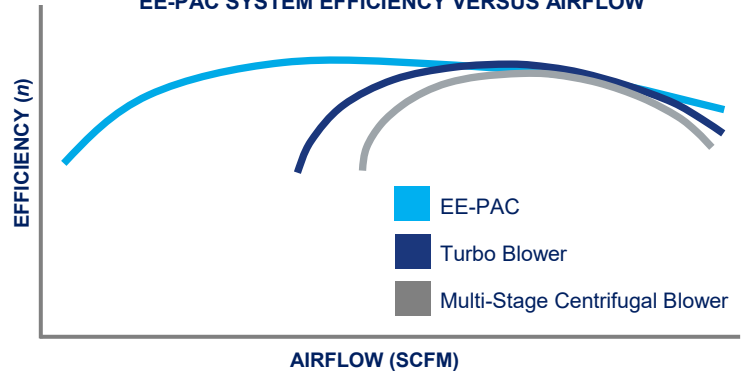
EFFICIENCY OVER ENTIRE OPERATING RANGE

- >> Reliable and improved longevity: EE-PAC handles higher pressures and temperature ranges to ensure performance
- >> Drastically reduce operating costs
- >> Increased functionality and Lower noise levels
 - Hybrid lobe and hybrid screw technology offers a wider turndown range than a turbo or multi-stage blower system
 - Positive displacement does not surge

DIRECT DRIVE COUPLING

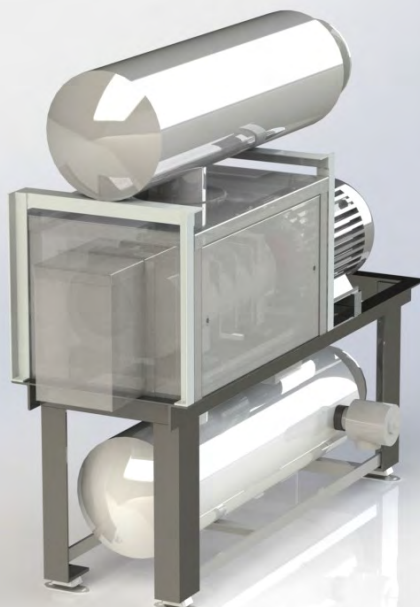
- >> Significantly improves system bearing life
- >> No belt tightening or replacement costs
- >> More efficiency, less maintenance

EE-PAC SYSTEM EFFICIENCY VERSUS AIRFLOW



REPLACE MULTI-STAGE CENTRIFUGAL BLOWERS WITH EASE

- >> EE-PAC Base and Partial ACOUSTI-PAC enclosure narrow configurations easily fit existing facility and pads
- >> Keep your current capacity but only use the flow you need to drastically lower power costs
- >> Increased pressure capability and will not surge
- >> Combine with a DO control upgrade for further optimization



UBPstandardFLEX

UBPstandardFLEX provides you with all the benefits of a standardized system with FLEXibility to choose a variety of add-on options for a more custom solution at a fraction of the cost. Whether it's more instrumentation, noise solutions or need for specific valve vendors, EE-PAC can be FLEXed to optimize your investment. For variable flow operation, *UBP* can integrate any major brand constant torque VFD and provide your choice of drive for the system. Get more cutting edge technology and efficiency to meet your needs and budget. Email sales@universalblowerpac.com to discuss options.

EE-PAC FLEXibility:



Scan to view the EE-PAC video tour
and the UBP Global Installation Map



440 Park 32 West Drive
Noblesville, IN 46062
P >> 317.773.7256
F >> 317.776.5086

UNIVERSALBLOWERPAC.COM
HYBRIDBLOWER.COM