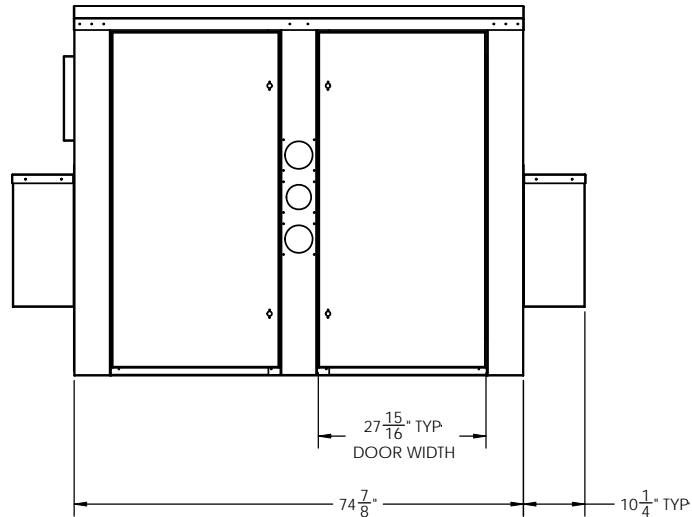
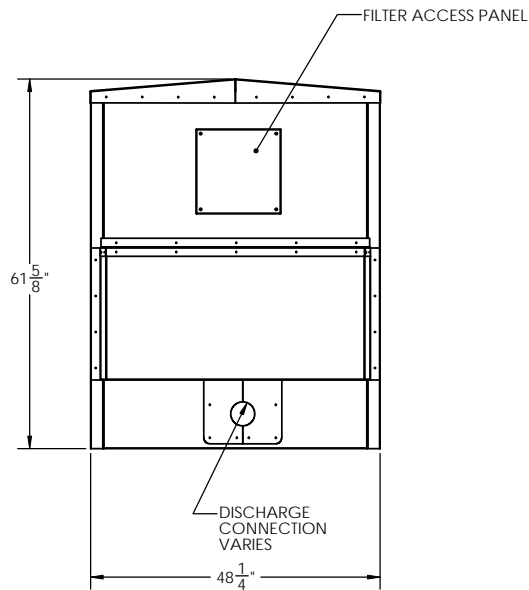
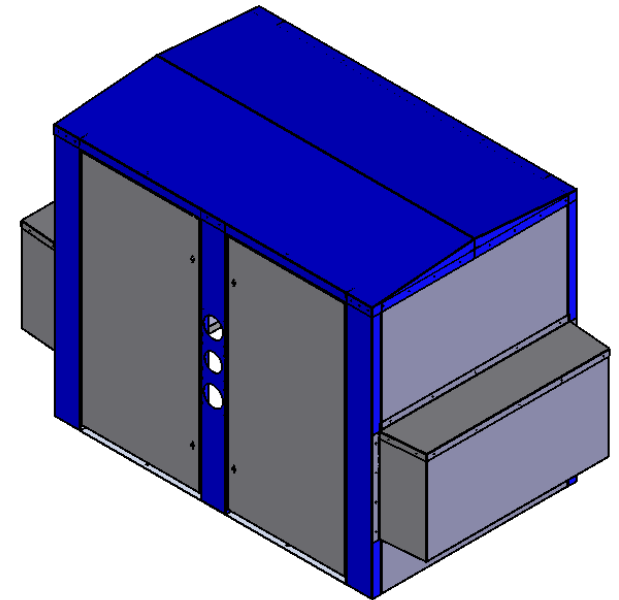


ENCLOSURE SPECIFICATIONS:


1. MATERIAL OF CONSTRUCTION: 16 GA POWDER COATED STEEL
2. QTY (4) HINGED DOORS (2 PER SIDE)
3. QTY (8) 1/2 TURN COMPRESSION LATCHES (2 PER DOOR)
4. QTY (1) EXHAUST FAN (1/60/120V, 4.3 AMPS) w/ THERMOSTAT
5. ENCLOSURE AND VENT BOXES LINED W/ 2" ACOUSTICAL FOAM

REVISIONS				
ZONE	REV.	DESCRIPTION	DATE	APPROVED
	A	DRAWING CREATED	1/10/14	AF



NOTE:

1. INSTALL AND OPERATE ACCORDING TO O&M MANUAL.
2. SOME ITEMS, USUALLY SILENCERS, MAY BE DISASSEMBLED FOR SHIPMENT. REASSEMBLY MAY BE REQUIRED.

UNLESS OTHERWISE SPECIFIED:		NAME	DATE	 UNIVERSAL BLOWER PAC, INC. 140 PANK 23 WEST DRIVE NOBLESVILLE, IN 46060-9252 PHONE: 317-773-7258 WWW.UNIVERSALBLOWERPAC.COM
DIMENSIONS ARE IN INCHES		DRAWN	AF	
TOLERANCES FRACTIONAL TO USER CONNECTIONS: ±1/4"		CHECKED		TITLE: Q-Pac enclosure 3.3
OTHER FRACTIONAL: ±1/8"		ENG APPR		
ANGULAR MATCH: ±0.5° BEND ±2°		MATERIAL		
TWO PLACE DECIMAL: ±0.05		STOCK SIZE		SIZE DWG. NO.
THREE PLACE DECIMAL: ±0.005		FRESH		C OP_ATT_3_Submittal
PROPRIETARY AND CONFIDENTIAL		DO NOT SCALE DRAWING		SCALE: 1:16
THE INFORMATION CONTAINED IN THIS DRAWING IS THE SOLE PROPERTY OF UNIVERSAL BLOWER PAC, INC. ANY REPRODUCTION IN PART OR AS A WHOLE WITHOUT THE WRITTEN PERMISSION OF UNIVERSAL BLOWER PAC, INC. IS PROHIBITED.				SHEET 1 OF 1