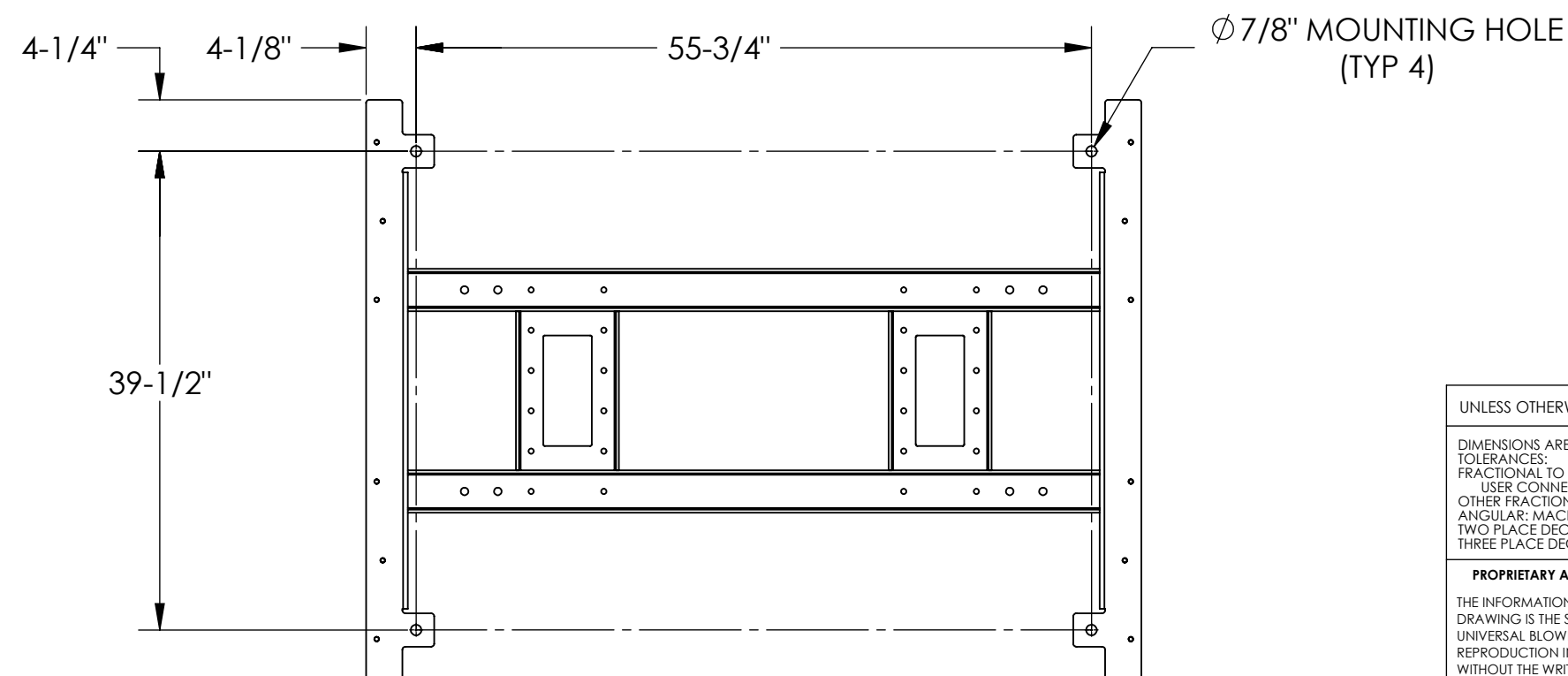
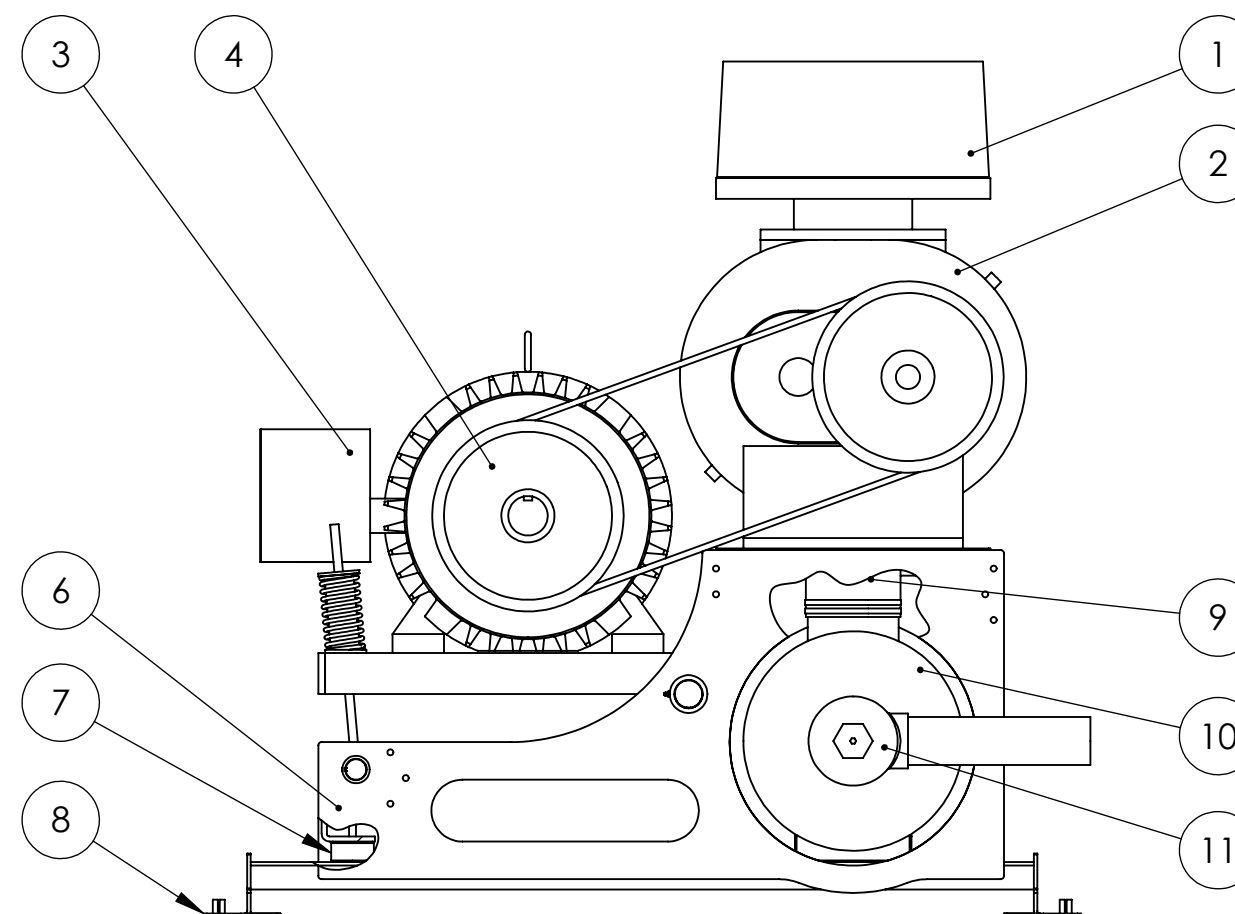
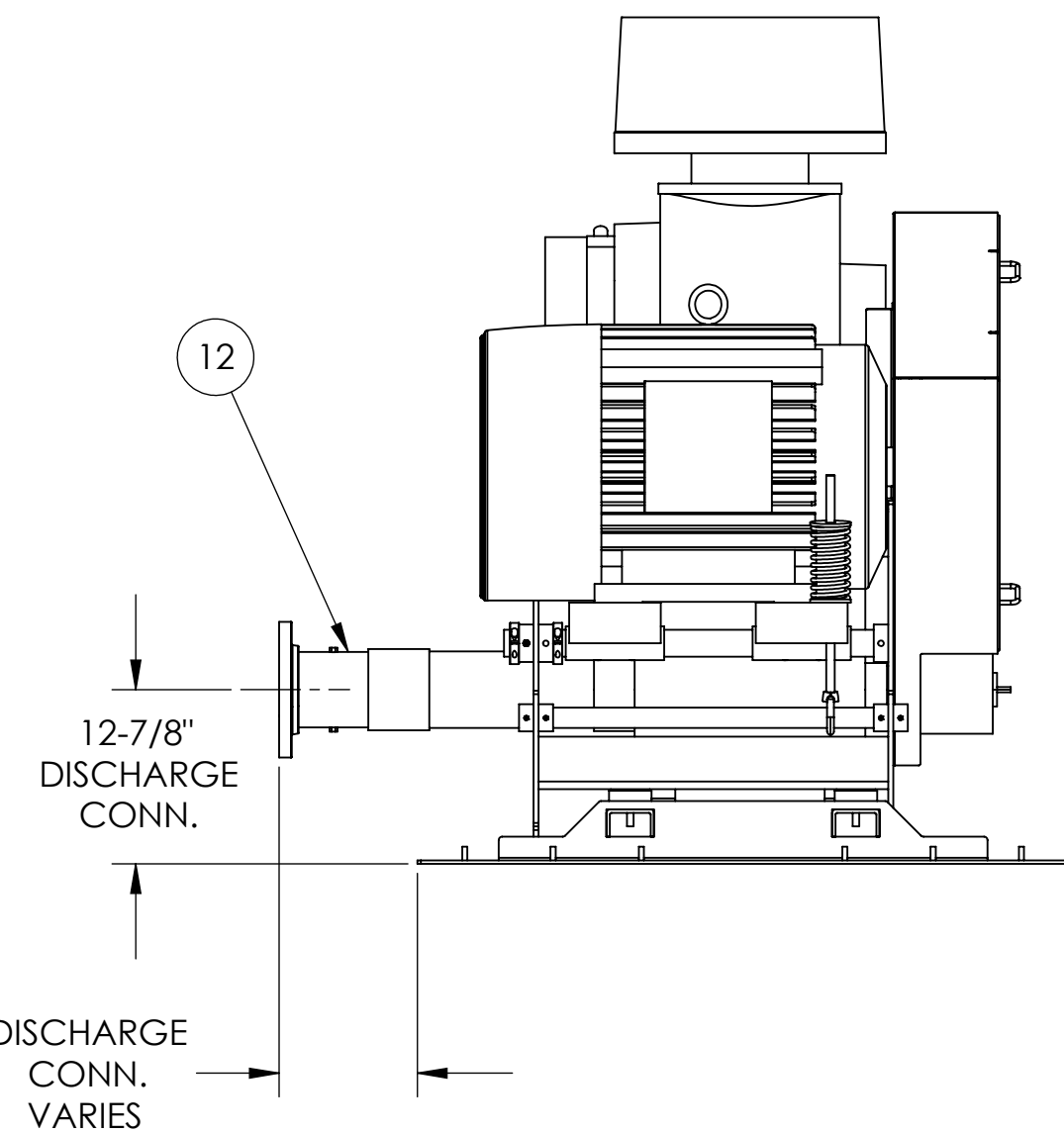
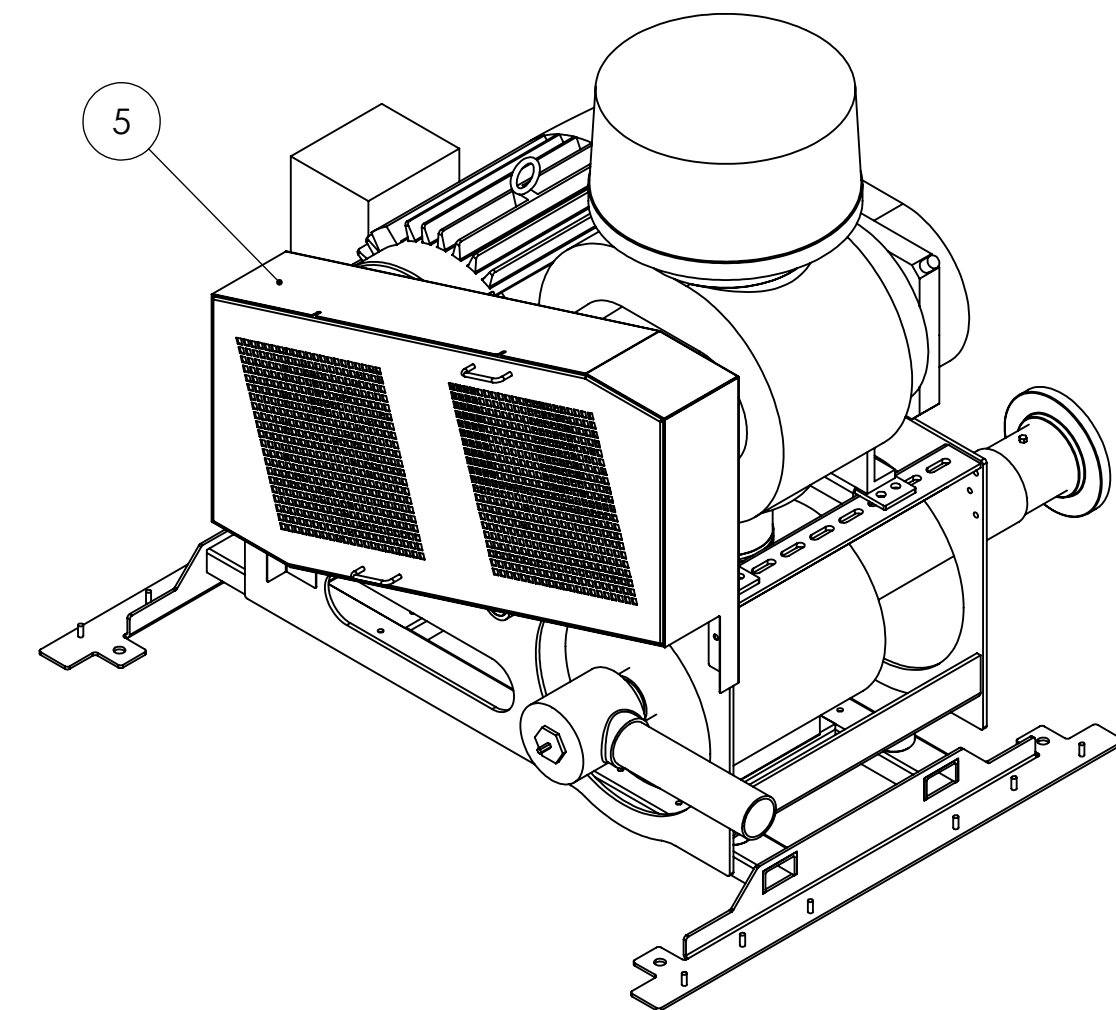
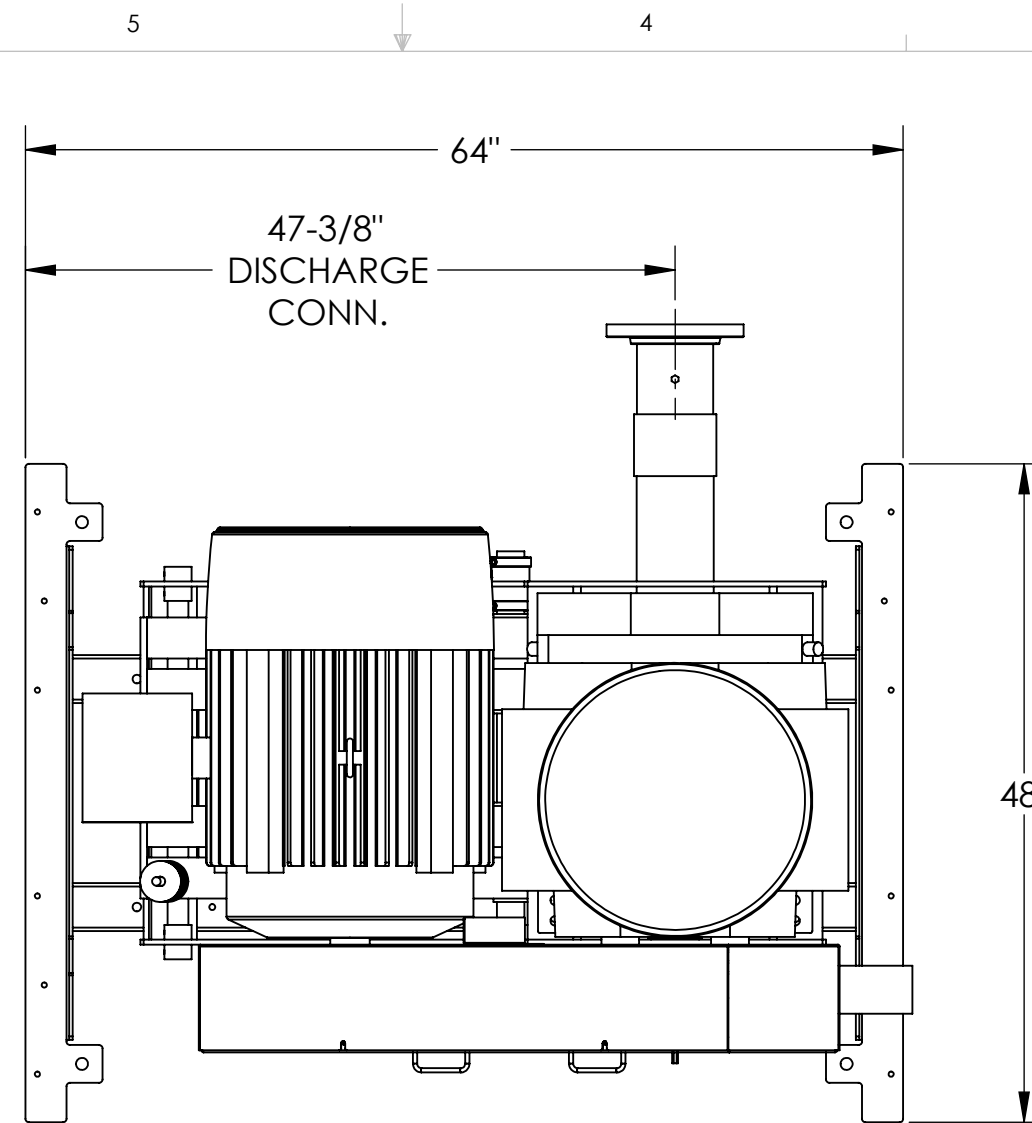


ITEM NO.	DESCRIPTION	8M 405T 8-5/QTY.
1	Inlet Filter/Silencer	1
2	UBP HYBRID Blower	1
3	NEMA Motor	1
4	V-Belt Drive Assembly @ 1.4 Service Factor	1
5	3C3H Belt Guard w/ Easy Access Panel	1
6	3C3H Blower Base w/ Auto-Tension Motor Base	1
7	Vibration-Damping Isolation Mount	4
8	3C3H Sub-Base	1
9	Discharge Expansion Joint	1
10	Compact Discharge Silencer	1
11	Spring Loaded PRV	1
12	Discharge Check Valve	1
13	3C3H Acoustical Enclosure	1
14	Inlet Filter Vacuum Gauge	1
15	Discharge Pressure Gauge	1
16	Discharge Thermometer	1

NOTE:

- ITEMS 13-16 ARE OPTIONAL AND SHOWN ON NEXT SHEET.
- SEE PROJECT-SPECIFIC SUBMITTAL FOR COMPONENT MODEL NUMBERS, UNIT WEIGHT, AND OPTIONAL COMPONENTS NOT SHOWN HERE.

REVISIONS				
ZONE	REV.	DESCRIPTION	DATE	APPROVED
	A	DRAWING CREATED	8/30/2010	BD
	B	VARIOUS DESIGN IMPROVEMENTS	5/9/2012	BD
	C	FABRICATION REVISIONS	6/12/2012	BD



NOTE:

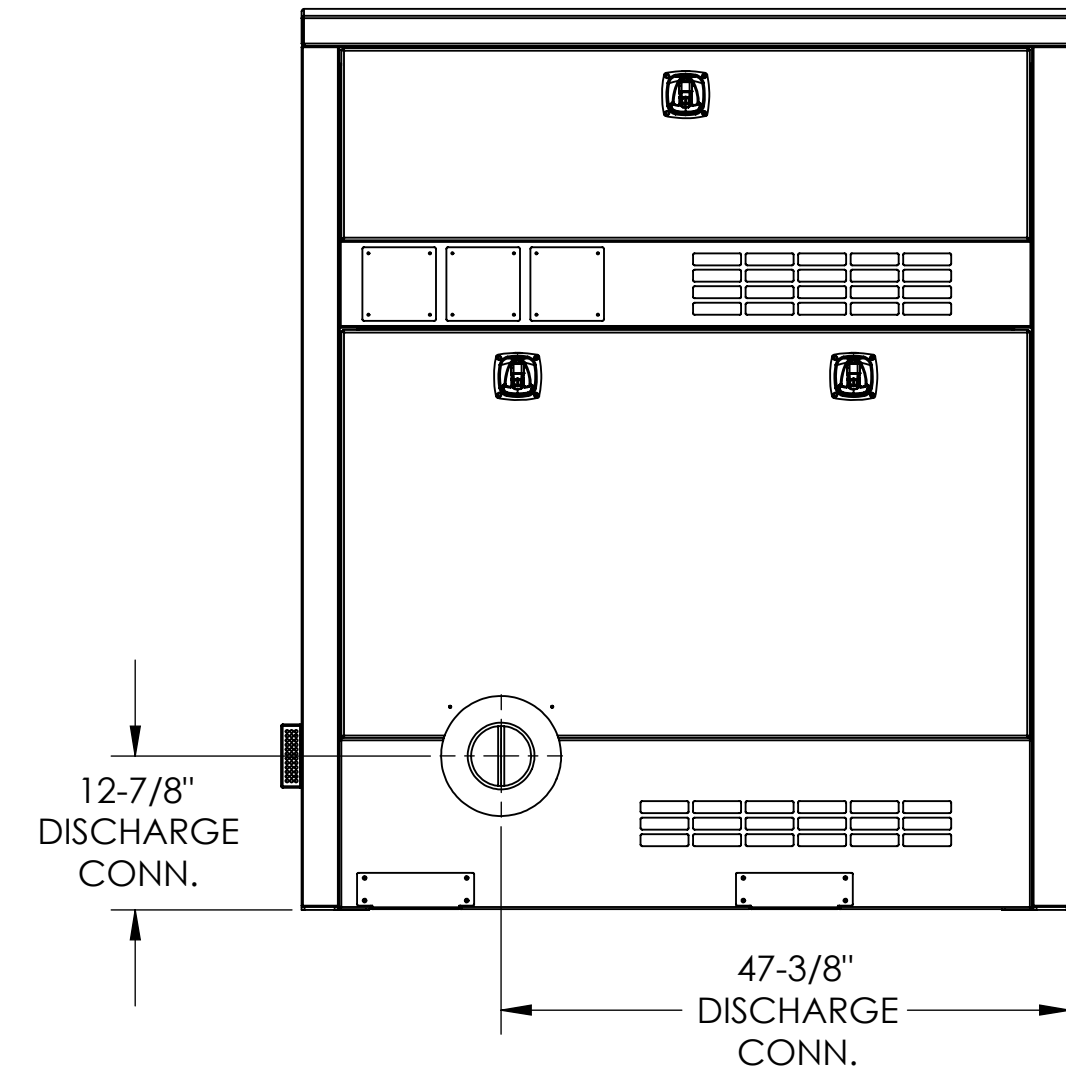
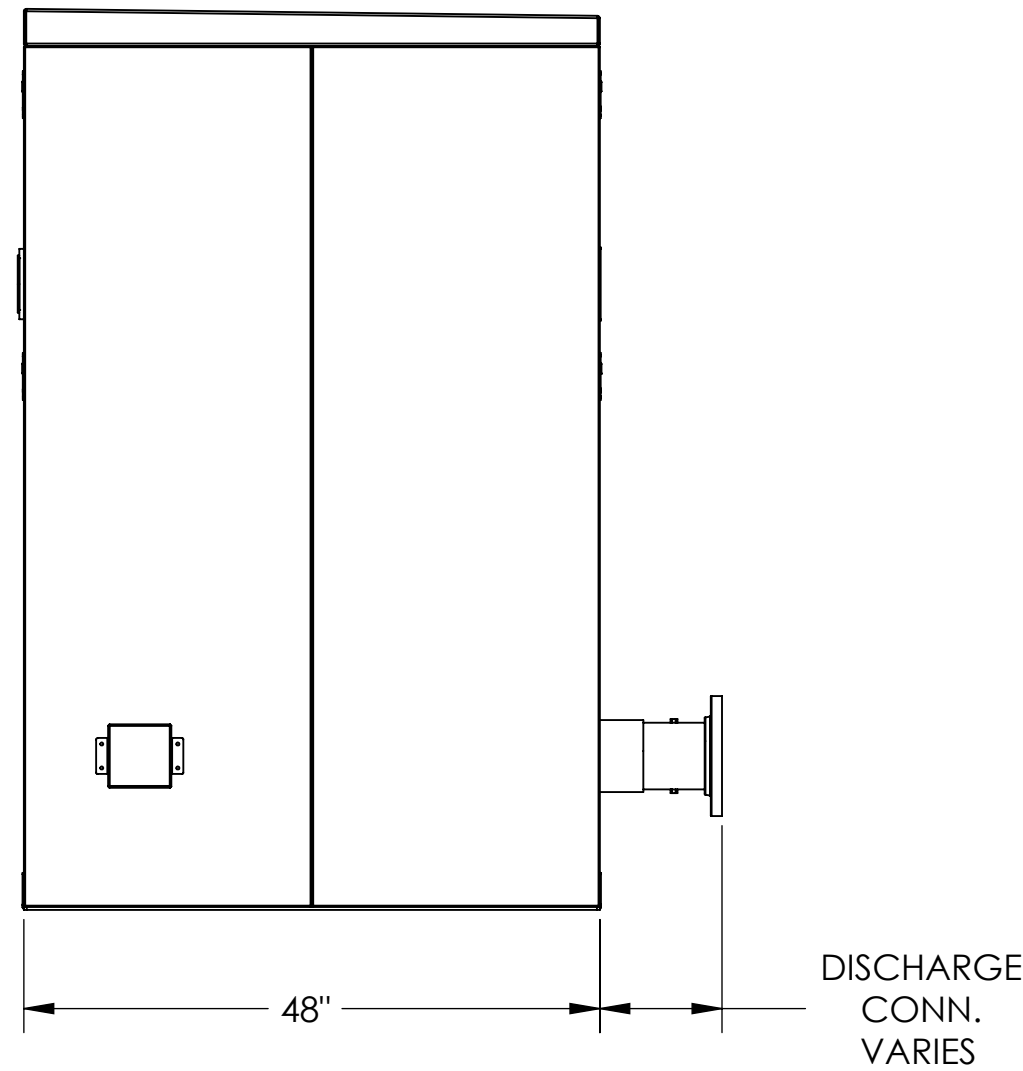
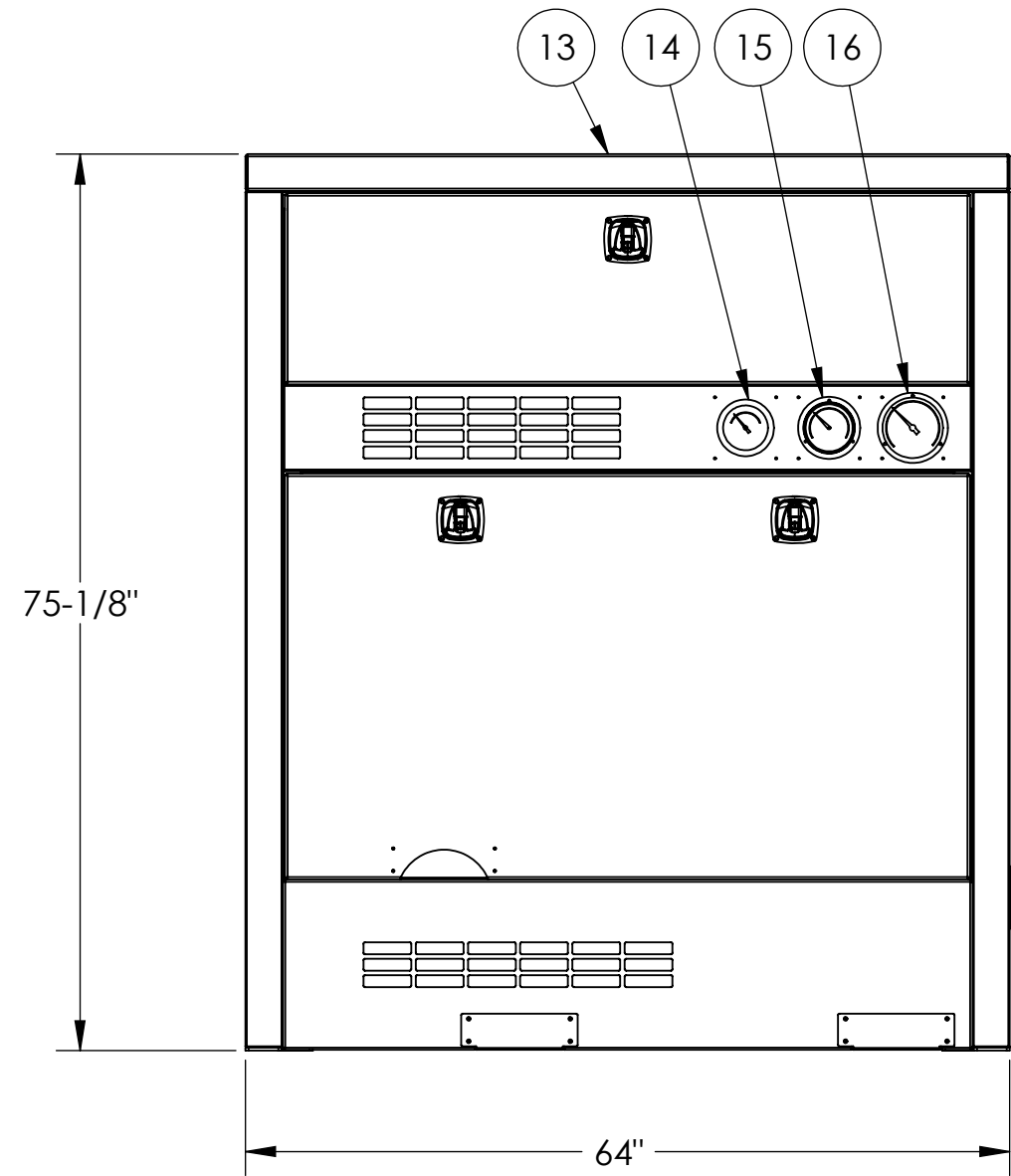
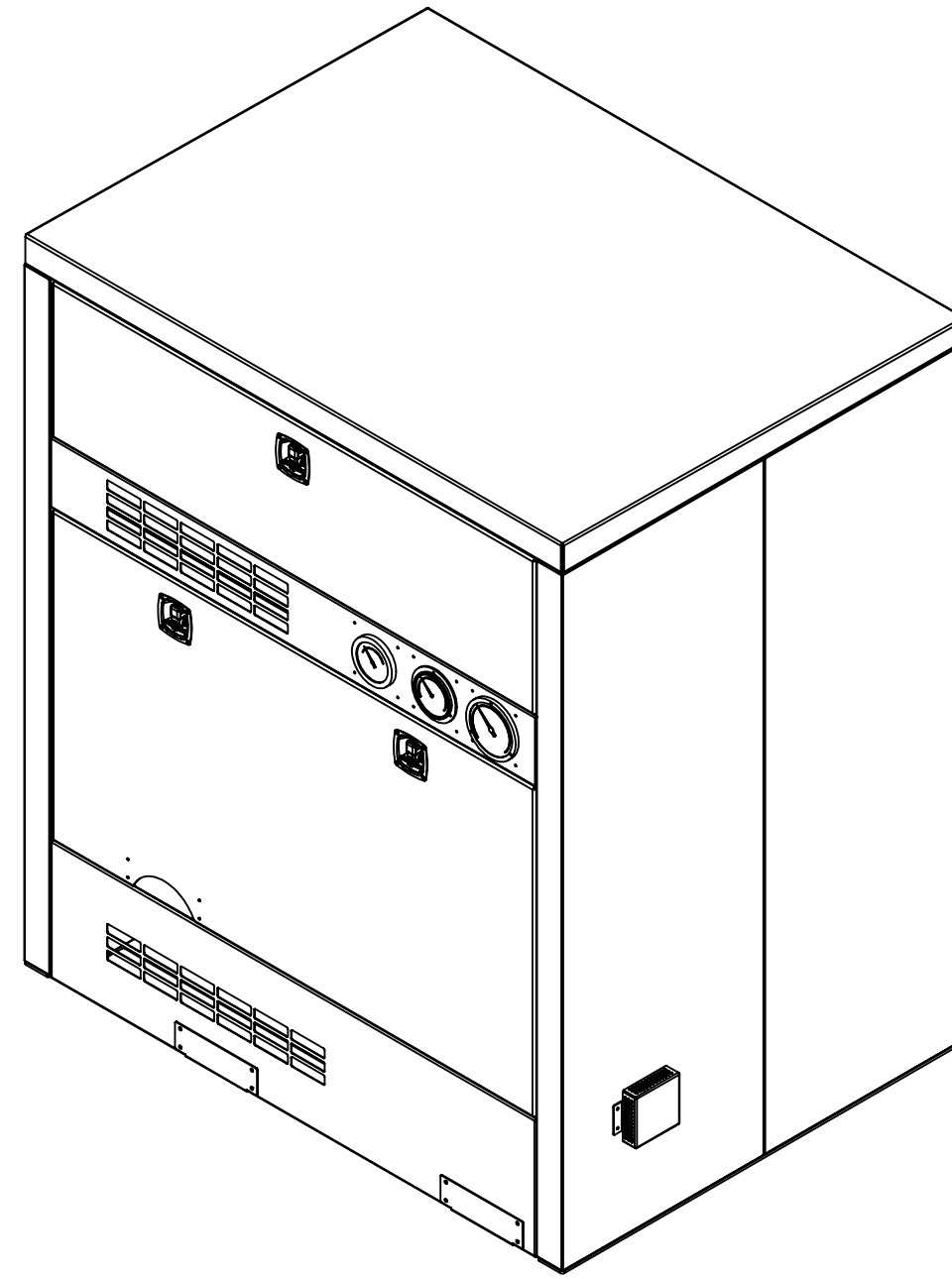
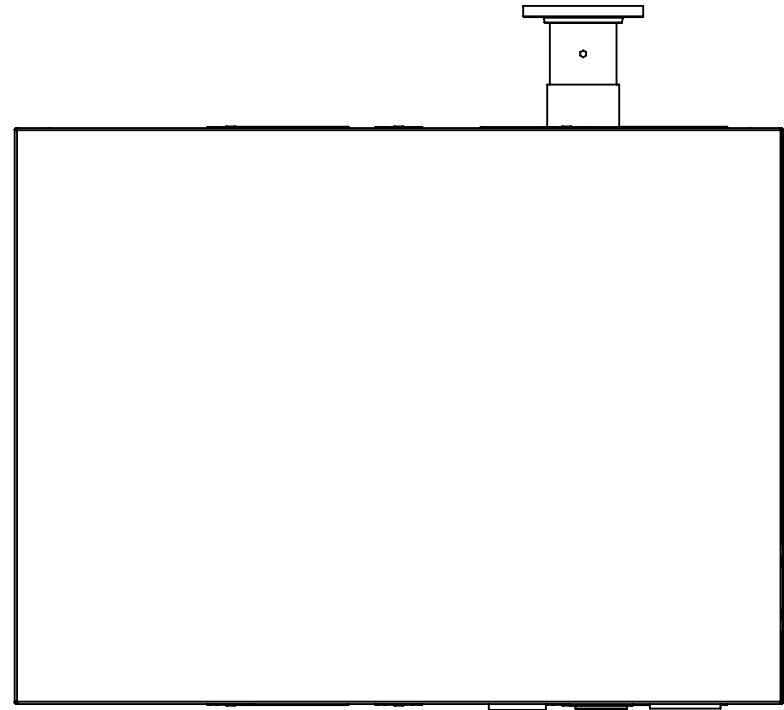
- INSTALL AND OPERATE ACCORDING TO O&M MANUAL.
- DIMENSIONS SUBJECT TO CHANGE WITHOUT NOTICE.

UNLESS OTHERWISE SPECIFIED:		NAME	DATE	UNIVERSAL BLOWER PAC, INC. 440 PARK 32 WEST DRIVE NOBLESVILLE, IN 46060-9252 PHONE: 317-773-7256 www.universalblowerpac.com
DIMENSIONS ARE IN INCHES		DRAWN	BD	
TOLERANCES:		CHECKED		
FRACTIONAL TO USER CONNECTIONS: ±1/4		ENG APPR.		
OTHER FRACTIONAL: ±1				
ANGULAR: MACH ± BEND ±5				
TWO PLACE DECIMAL ±1.00				
THREE PLACE DECIMAL ±0.25				
PROPRIETARY AND CONFIDENTIAL THE INFORMATION CONTAINED IN THIS DRAWING IS THE SOLE PROPERTY OF UNIVERSAL BLOWER PAC, INC. ANY REPRODUCTION IN PART OR AS A WHOLE WITHOUT THE WRITTEN PERMISSION OF UNIVERSAL BLOWER PAC, INC. IS PROHIBITED.		MATERIAL		TITLE: 3C HYBRID Size 3
		STOCK SIZE		SIZE DWG. NO. C 3C3H
		FINISH		SCALE: 1:14 SHEET 1 OF 2
		DO NOT SCALE DRAWING		

ENCLOSURE NOTES:

1. MATERIALS OF CONSTRUCTION: GALVANNEALED STEEL AND ALUMINUM
2. FINISH: BLUE & GRAY UV-RESISTANT POWDER COAT
3. LINED WITH 2" ACOUSTICAL FOAM
4. FRONT AND REAR REMOVABLE PANELS
5. LOCKING COMPRESSION LATCHES
6. QTY (1) ELECTRICAL EXHAUST FAN (~1A @ 1/60/120V)
7. INTERNAL JUNCTION BOX PROVIDED FOR EXHAUST FAN AND OPTIONAL SWITCHES (INTERNAL WIRING TO JUNCTION BOX AND MOTOR CONDUIT BOX BY OTHERS)
8. FORK SLOT COVERS PROVIDED FOR USE AFTER INSTALLATION
9. SEE PROJECT-SPECIFIC SUBMITTAL FOR OPTIONAL COMPONENTS

REVISIONS				
ZONE	REV.	DESCRIPTION	DATE	APPROVED
-	-	See Sheet1	-	-



NOTE:

1. INSTALL AND OPERATE ACCORDING TO O&M MANUAL.
2. DIMENSIONS SUBJECT TO CHANGE WITHOUT NOTICE.

UNLESS OTHERWISE SPECIFIED:		NAME	DATE	UNIVERSAL BLOWER PAC, INC. 440 PARK 32 WEST DRIVE NOBLESVILLE, IN 46060-9252 PHONE: 317-773-7256 www.universalblowerpac.com
DIMENSIONS ARE IN INCHES		DRAWN	BD	
TOLERANCES:		CHECKED		
FRACTIONAL TO USER CONNECTIONS: ±1/4		ENG APPR.		
OTHER FRACTIONAL: ±1				
ANGULAR: MACH ± BEND ±5				
TWO PLACE DECIMAL ±1.00				
THREE PLACE DECIMAL ±0.25				
PROPRIETARY AND CONFIDENTIAL THE INFORMATION CONTAINED IN THIS DRAWING IS THE SOLE PROPERTY OF UNIVERSAL BLOWER PAC, INC. ANY REPRODUCTION IN PART OR AS A WHOLE WITHOUT THE WRITTEN PERMISSION OF UNIVERSAL BLOWER PAC, INC. IS PROHIBITED.		MATERIAL		TITLE: 3C HYBRID Size 3
		STOCK SIZE		SIZE DWG. NO. C 3C3H
		FINISH		SCALE: 1:14 SHEET 2 OF 2
		DO NOT SCALE DRAWING		